



GAST MANUFACTURING, INC.  
 A Unit of IDEX Corporation  
 Post Office Box 97  
 Benton Harbor, Michigan  
 Ph: 269/926-6171  
 Fax: 269/925-8288

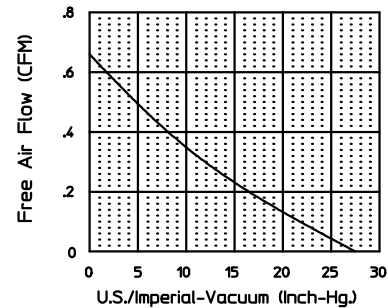
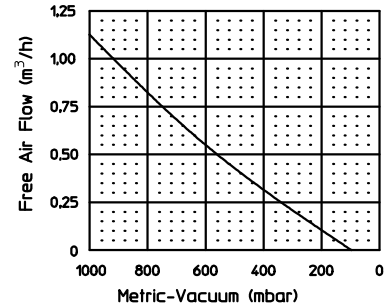
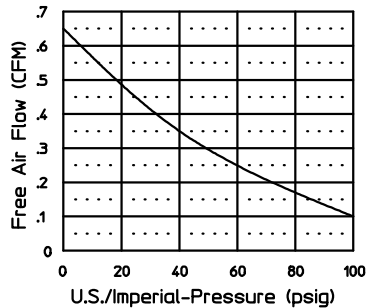
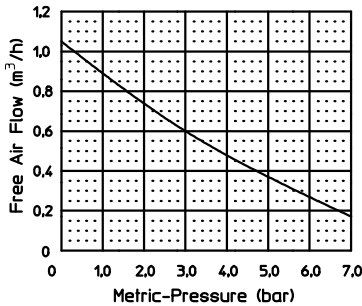
PART NUMBER:  
 RTD388 SHEET 1 OF 2

REVISION:  
 B

Model Number	Motor	RPM	HP	kW	Net Wt.		AMPS	CAPACITOR mfd. - volts
					lbs.	kg		
LOA-101-JK	24V DC	1800	.07	0.07	6.6	3.0	3.2	----

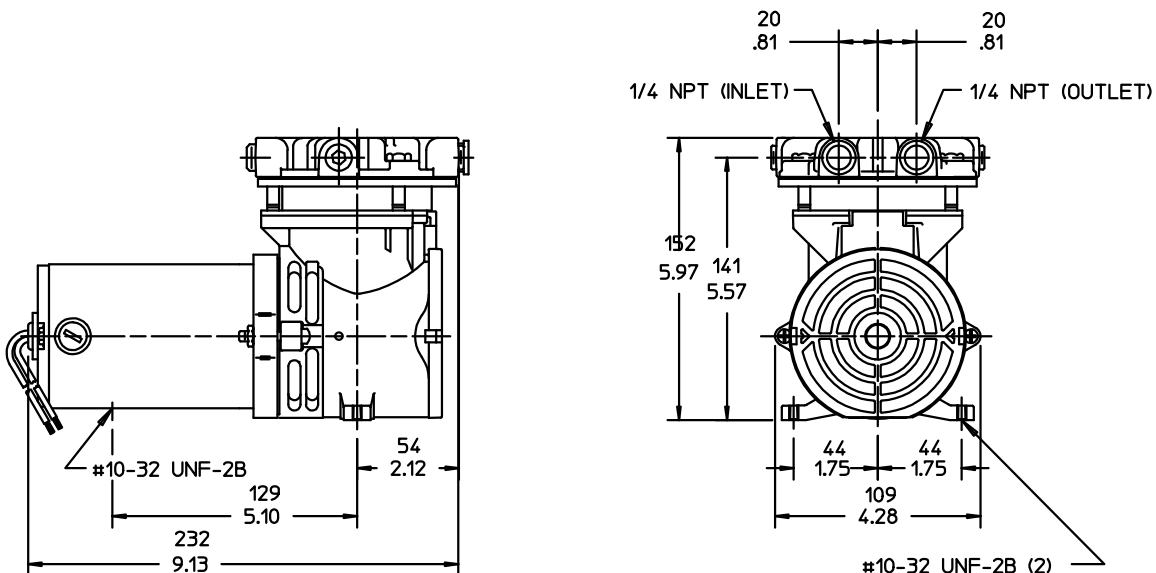
SOUND LEVEL Less than 70 dB(A)  
 NORMAL AMBIENT +5 degC - +40 degC  
 RELATIVE HUMIDITY 20% - 80%  
 ENVIRONMENT Clean Dust Free

PRODUCT PERFORMANCE



NOTES:

1. ALL DIMENSIONS ARE FOR REFERENCE USE ONLY.
2. PRODUCT DIMENSIONS: U.S. IMPERIAL (inches) METRIC (mm).
3. \* = TECHNICAL DATA SUBJECT TO CHANGE WITHOUT NOTICE.
4. THIS MODEL REQUIRES ADDITIONAL CAPACITANCE TO BE APPLIED TO THE ELECTRICAL INPUT IN ORDER TO COMPLY WITH THE EU EMC DIRECTIVE. SEE SHEET 2 OF 2.





GAST MANUFACTURING, INC.  
A Unit of IDEX Corporation  
Post Office Box 97  
Benton Harbor, Michigan  
Ph: 269/926-6171  
Fax: 269/925-8288

PART NUMBER:  
RTD388 SH.2 OF 2

REVISION:  
B

