



GAST MANUFACTURING, INC.  
 A Unit of IDEX Corporation  
 Post Office Box 97  
 Benton Harbor, Michigan  
 Ph: 269/926-6171  
 Fax: 269/925-8288

PART NUMBER:

RTD153

REV.

F

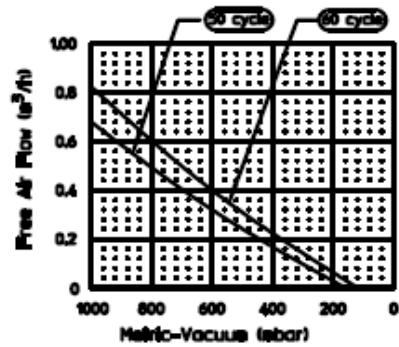
Product Specifications

Model Number	Motor	RPM		HP	kW	Net Wt.		AMPS	CAPACITOR mfd. - volts
		60 cycle	50 cycle			lbs.	kg		
LOA-101-HD LOA-121-HD	230-1	1575	1275	1/10	0,07	8,60	3,9	74	5 - 370

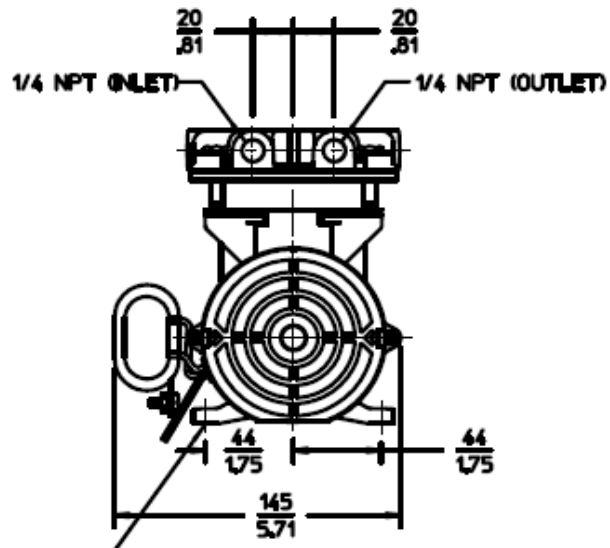
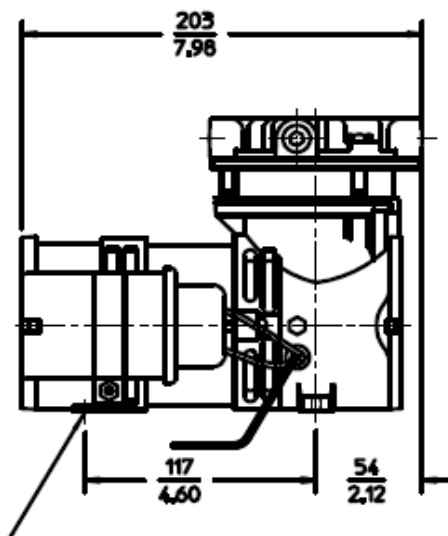
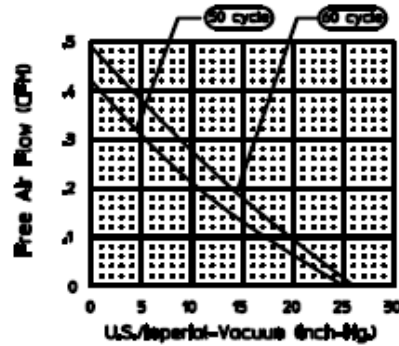
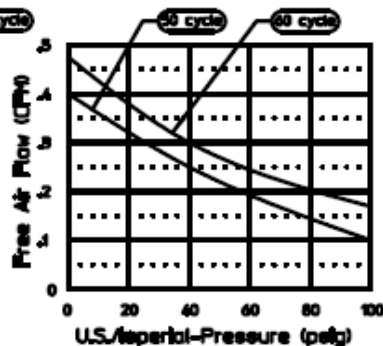
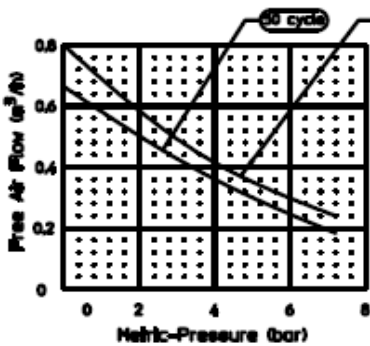
SOUND LEVEL	Less than 70 dB(A)
NORMAL AMBIENT	+5 degC - +40 degC
RELATIVE HUMIDITY	20% - 80%
ENVIRONMENT	Clean Dust Free

NOTES:

1. ALL DIMENSIONS ARE FOR REFERENCE USE ONLY.
2. PRODUCT DIMENSIONS: U.S. IMPERIAL (inches) METRIC (mm).
3. \* = TECHNICAL DATA SUBJECT TO CHANGE WITHOUT NOTICE.
4. INSTALLATION: THIS PUMP MUST BE INSTALLED IN AN ENCLOSURE.
5. ON LOA-121-HD: CAPACITOR AND CAPACITOR MOUNTING KIT SHIPPED UNATTACHED.



PRODUCT PERFORMANCE



└─#10-32 UNF-2B x .50 DEEP

└─#10-32 UNF-2B (2)